

The popular, proven, long life EX series clock has now joined the TIMEWISE™ family of devices - the future of accurate time display for Schools, Hospitals and Industry. These dependable wire based clocks have been combined with today's WiFi technology creating the industry's most durable, flexible, and easy to install clock system with many advantages over conventional wireless technologies.

Our timekeeping technology has evolved along with your building infrastructure so your WiFi investment can be leveraged across multiple systems. Why install, maintain and debug a proprietary wireless system when you can use your existing WiFi wireless network? Also, unlike other wireless systems, our WiFi communication can be two-way, providing signal strength mapping at each clock location. Our system can notify you via e-mail or text message if there is a problem with connectivity or an errant clock.

Synchronize all of your clocks to the National Institute of Standards and Technology (NIST) through the internet to get the most accurate time and keep all of your systems - computers, paging, HVAC - displaying the same time.

Installation and setup is easy with National's Ad-Clock™ technology and your choice of network configurations. See Bulletin C-505 for more information.

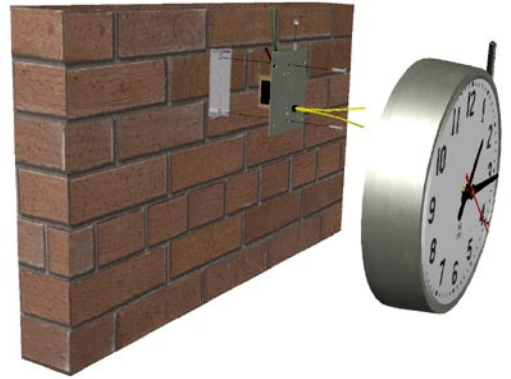


- Industry's Longest Life Mechanism
- Durable Metal Construction
- Synchronous Sweeping Second Hand
- No Master Clock Required
- No Server Software Required
- Leverage Existing WiFi Networks
- Easy Setup
- Compatible with 802.11b/g/n Networks
- Supports Existing Security Schemes
- Compatible with National's TIME WISE™ Family of Devices

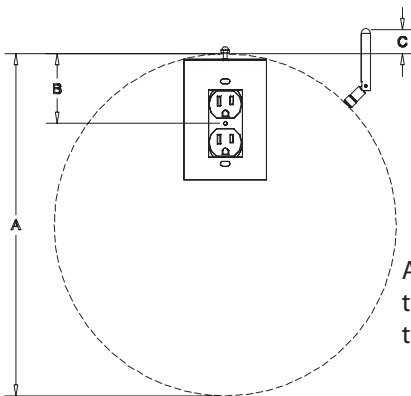
Installation



LEFT: Use the Wall Transformer (WT) version when power is from an existing outlet behind or near the clock location. Wire exit on top or bottom of clock if necessary.

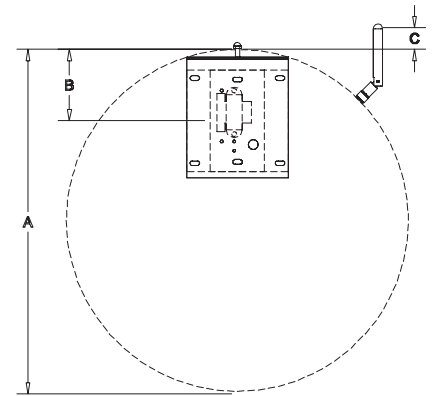


RIGHT: Use the Hard Wire (HW) version when the transformer is hard wired inside an electrical box behind the clock. (Handy Box, Single Gang or 4 square; minimum 1.75" deep.)



Clock Size	A	B	C	Depth
12"	13.5	2.75	1.0	3.5
16"	17.0	2.75	0.5	3.5
24"	24.0	2.75	-.05	3.5

Alternately, cord can exit the top or bottom of case to nearby power outlet.



Specifications

Input Power: 120VAC 50/60Hz; 0.090A max. (Wall Transformer with 6' cable provided.)

WiFi: 802.11b/g support. TCP/IP; DNS; DHCP; SNTP; TIME; HTTP; FTP protocols supported.

Time Servers: Configure Internet time servers or local SNTP servers.

See TIME WiSE™ Bulletin C-505 for additional configuration information.

Steel Case with Powder Grey Semi-gloss paint.

Shatter-Proof Lens standard (Glass available upon request)

Non-Yellowing Polystyrene dial with black screened numerals and markers

MADE IN MICHIGAN

Ordering Information

Part No.	Description
SR-12EX-WiFi-WT-SP	12" Surface Round TIME WiSE™ Analog Clock, Shatter Proof Lens w/ Wall Transformer
SR-12EX-WiFi-HW-SP	12" Surface Round TIME WiSE™ Analog Clock, Shatter Proof Lens w/ Hard-Wire Transformer
SR-16EX-WiFi-WT-SP	16" Surface Round TIME WiSE™ Analog Clock, Shatter Proof Lens w/ Wall Transformer
SR-16EX-WiFi-HW-SP	16" Surface Round TIME WiSE™ Analog Clock, Shatter Proof Lens w/ Hard-Wire Transformer
SR-24EX-WiFi-WT-SP	24" Surface Round TIME WiSE™ Analog Clock, Shatter Proof Lens w/ Wall Transformer
SR-24EX-WiFi-HW-SP	24" Surface Round TIME WiSE™ Analog Clock, Shatter Proof Lens w/ Hard-Wire Transformer